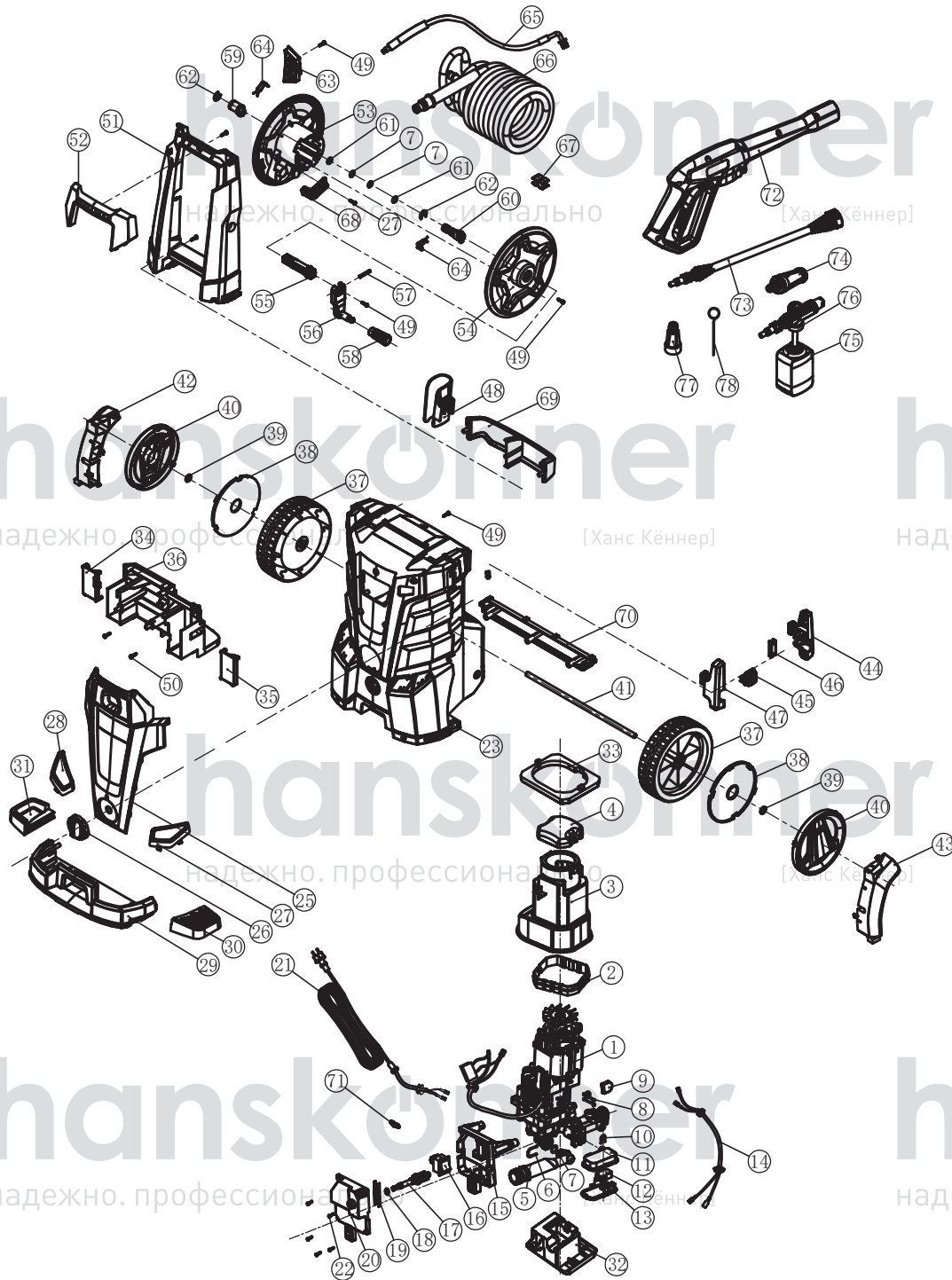


MOTOR AND PUMP FOR HPW9225R

No.	DESCRIPTION	No.	DESCRIPTION
1	AC MOTOR	26	UNLOADER VALVE
2	LOWER BEARING	27	O-RING
3	TRANSMISSION SHAFT	28	O-RING
4	GEAR	29	VALVE BODY
5	NEEDLE BEARING	30	BOLT
6	THRUST NEEDLE ROLLER BEARING PAD	31	O-RING
7	SWASH PLATE	32	BACK-PRESSURE VALVE
8	UPPER BEARING	33	SPRING
9	SPRING PLATE	34	O-RING
10	SPRING	35	OUTLET PIPE
11	PISTON	36	BOLT
12	O-RING	37	HEXAGON BOLT
13	PISTON GUIDE	38	HEXAGON BOLT
14	OIL SEALING	39	HEXAGON BOLT
15	WASHER	40	FLAT GASKET
16	WATER SEALING	41	HEXAGON BOLT
17	PUMP HEAD	42	GASKET
18	CHECK VALVE	43	HEXAGON BOLT
19	O-RING	44	NUT
20	INLET GASKET		
21	O-RING		
22	INLET BODY		
23	M-RING		
24	O-RING		
25	VIOLDING WATER BODY		

HPW9225R-EX-2020111701

HPW9225R



No.	DESCRIPTION	PEC.	No.	DESCRIPTION	PEC.
1	MOTOR PUMP ASS		44	BOBBIN CATCH	
2	STATOR CLIP		45	FLEX HAULM BUTTON	
3	MOTORCOVER		46	HAULM BUTTON BAFFLE	
4	TARPAULIN		47	BOBBIN CATCH COVER	
5	INLET		48	GUN CONVENTION	
6	INLET BOLT	15.5X20.2-Φ2	49	SCREW	ST4
7	O-RING	12.5X1.8	50	SCREW	ST4
8	JUMP RING	Φ2X16X32	51	HANDLE	
9	BUTTON		52	HANDLE COVER	
10	BOLT		53	LEFT REEL WHEEL	
11	SWITCH COVER		54	RIGHT REEL WHEEL	
12	MICRO-SWITCH		55	ROCKERAXES	
13	SWITCH BRACKET		56	HOSE REEL ROCKER	
14	AUTO STOP WIRE		57	ROCKER PIN	Φ5X34.5
15	SWITCH BOX		58	HOSE REEL HANDLE	
16	MAIN SWITCH		59	THREE WAY CONNECTOR	
17	SWITCH KNOB SHAFT		60	THREE WAY SHAFT	
18	O-RING	Φ7.5X1.8	61	PTFE SHIELD	Φ15.9X13X1.5
19	SPRING PLATE	0.6X6X49	62	SPILT WASHER	
20	SWITCH BOX COVER		63	THREE WAY CONNECTOR COVER	
21	POWER CORD		64	THREE WAY CONNECTOR CIRLIP	
22	SCREW	ST3	65	CHANGE-OVER HOSE	0.6m
23	HOUSING		66	HIGH PRESSURE HOSE	
25	FRONT ORNAMENT COVER		67	HIGH PRESSURE PIPE CLIP	
26	SWITCH KNOB		68	HOSE COVER	
27	COVER ORNAMENT COVER(RIGHT)		69	ACCESSORIES CARCASE	
28	COVER ORNAMENT COVER(LEFT)		70	BIG PEDESTAL COVER BOARD	
29	BIG PEDESTAL		71	IMPACTION STRING	
30	UNDERSIDE PLANK		72	PRESSURE GUN	
31	BIG PEDESTAL GUNSTOCK		73	WAND	
32	PUMP HEAD ROOT BLOCK		74	PLUG THE SPRINKLER	
33	SEPARATE WIND BAFFLE		75	SOAP FLUID BOTTLE	
34	SEPARATE WIND COVER BOARD(LEFT)		76	SOAP FLUID BOTTLE TIE-IN	
35	SEPARATE WIND COVER BOARD(RIGHT)		77	CONNECTOR MODULE	
36	HOUSING UNDERSIDE COVER BOARD		78	CLEANSING NEEDLE	Φ0.8
37	BIG WHEEL				
38	BIG WHEEL MOSAIC				
39	WHEEL BLOCK	Φ9.5			
40	BIG WHEEL COVER BOARD				
41	WHEEL AXES	Φ10X350			
42	LEFT WHEEL EYEBROW				
43	RIGHT WHEEL EYEBROW				